



OUTLINE DIMENSIONS

MOTOR TYPE:
AEUH8P-XXX

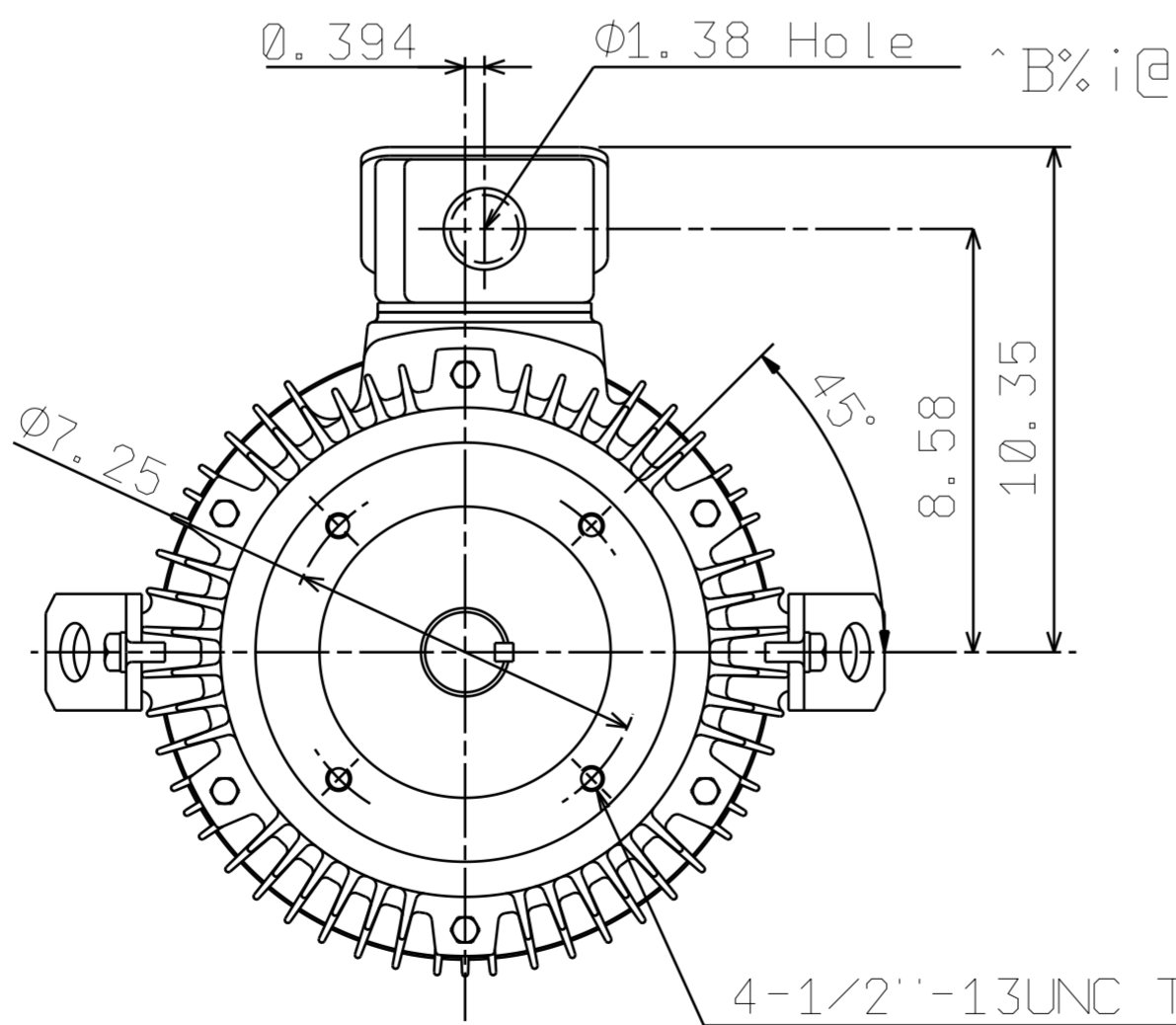
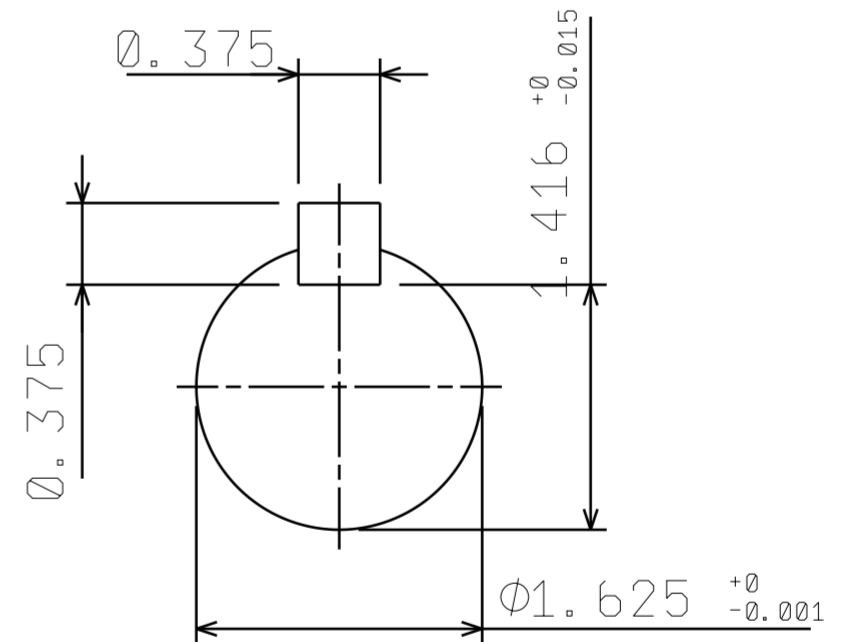
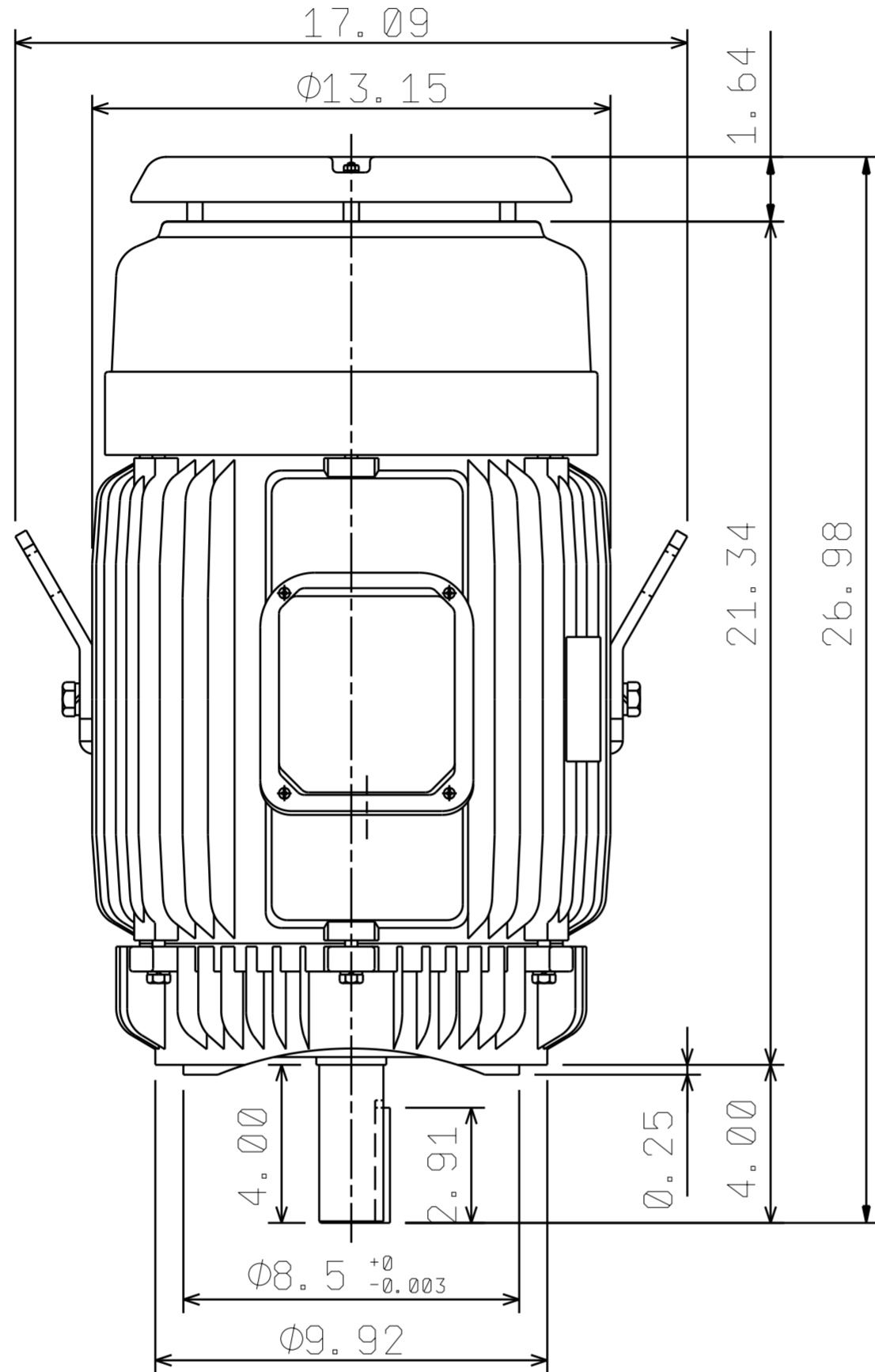
DATE

3-PHASE INDUCTION MOTOR

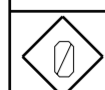
FRAME NO. 256TC

Pole	HP	kW	Hz	VOLT	r/min
4	20	14.92	60	230/460	1800
Ins	Rating	Dimension in	Approx Weight	Bearings	
F	CONT.	inches		DE: 6309ZZ NDE: 6307ZZ	

Totally Enclosed Fan-Cooled Vertical Type. Squirrel-Cage Rotor.



TA17142-00-01



DWG.	^ B%\$00VAM	04/12/17
CHKD.	^ B%R041017	04/10/17
APPD.	^ B%R041017	04/10/17

東元電機股份有限公司
TECO Electric & Machinery Co., Ltd.
 TAIWAN

DWG NO.
 31057A360340